

# 4K WDR Ultra-HD Vari-focal Bullet Network Camera

IPC268ER9-DZ



## Key Features

### Optics

- Day/night functionality
- Smart IR, up to up to 100m (328 ft) IR distance
- Up to 120 dB Optical WDR(Wide Dynamic Range)
- 2D/3D DNR (Digital Noise Reduction)
- Optical glass window with higher light transmittance

### Compression

- Ultra 265,H.265, H.264, MJPEG
- Embedded smart algorithm
- Triple streams
- ROI (Region of Interest)
- 9:16 corridor mode
- Customized OSD

## Network

- ONVIF Conformance

## Structure

- Wide temperature range: -40°C to 60°C (-40°F to 140°F)
- Wide voltage range of  $\pm 25\%$
- IP67
- 3-Axis

## Specifications

IPC268ER9-DZ					
<b>Camera</b>					
Sensor	1/2.5", progressive scan, 8.0 megapixel, CMOS				
Lens	2.8~12mm@F1.6, P-Iris, AF automatic focusing and motorized zoom lens				
DORI Distance	Lens	Detect(m)	Observe(m)	Recognize(m)	Identify(m)
	2.8mm	77.8	31.1	15.6	7.8
	12mm	333.3	133.3	66.7	33.3
Angle of View (H)	79.6°~34.9°				
Angle of View (V)	64°~16.6°				
Angle of View (O)	1.3.5°~42.9°				
Adjustment angle	Pan: 0°~360°		Tilt: 0°~90°		Rotate: 0°~360°
Shutter	Auto/Manual, 1~1/100000s				
Minimum Illumination	Colour: 0.02 Lux (F1.6, AGC ON) 0 Lux with IR				
Day/Night	IR-cut filter with auto switch (ICR)				
Digital noise reduction	2D/3D DNR				
S/N	>55dB				
IR Range	Smart-IR ,up to 100m (328ft) IR range				
Defog	Digital Defog				
WDR	120dB				
<b>Video</b>					
Video Compression	Ultra 265,H.265, H.264, MJPEG				
Frame Rate	Main Stream: 8MP(3840×2160) : Max. 30 fps; 2MP (1920×1080): Max. 30 fps; Sub Stream: 2MP (1920×1080): Max. 30 fps; Third Stream:D1(720×576) : Max. 30fps				
9:16 Corridor Mode	Supported				
HLC	Supported				
BLC	Supported				
OSD	Up to 8 OSDs				
Privacy Mask	Up to 8 areas				
ROI	Up to 8 areas				
Motion Detection	Up to 4 areas				

**Smart**

Behavior Detection	Intrusion, cross line, motion detection
Intrusion	Enter and loiter in a pre-defined virtual region
cross line	Cross a pre-defined virtual line
motion detection	Moving within a pre-defined virtual region
Recognition	Face detection、Audio detection
Intelligent Identification	Defocus, Scene Change, Object Left, Object Moving
Statistical Analysis	People counting
General Function	Watermark, IP Address Filtering, Tampering Alarm, Alarm input, Alarm output, Access Policy, ARP Protection, RTSP Authentication, User Authentication

**Audio**

Audio Compression	G.711
Two-way audio	Supported
Suppression	Supported
Sampling Rate	8 KHZ

**Storage**

Edge Storage	Micro SD, Up to 128 GB
Network Storage	ANR

**Network**

Protocols	IPv4, IGMP, ICMP, ARP, TCP, UDP, DHCP, PPPoE, RTP, RTSP, RTCP, DNS, DDNS, NTP, FTP, UPnP, HTTP, HTTPS, SMTP, 802.1x, SNMP
Compatible Integration	ONVIF(Profile S, Profile G), API

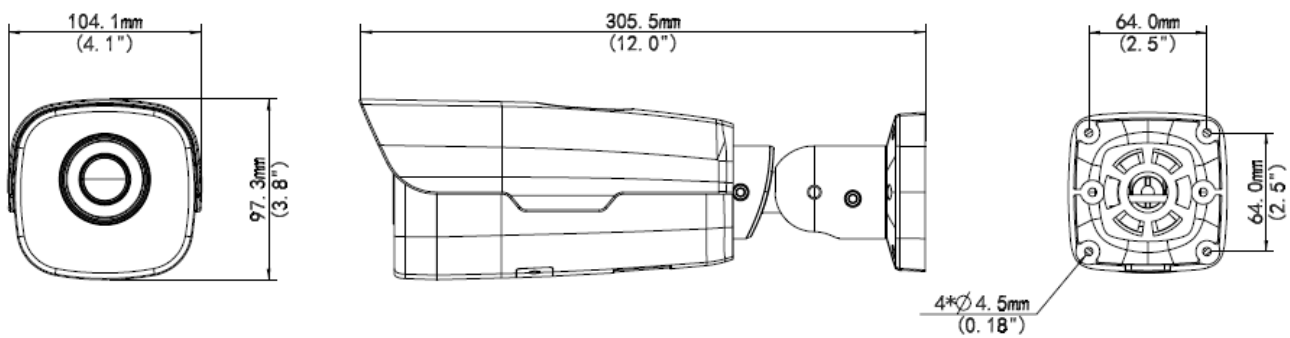
**Interface**

Audio I/O	Audio cable
	1 Input: impedance 35 kΩ; amplitude 2 V [p-p]
	1 Output: impedance 600 Ω; amplitude 2 V [p-p]
Alarm I/O	2 / 1
Serial Port	1 RS485
Network	1 RJ45, 10M/100M Base-TX Ethernet
Video Output	1 BNC, impedance 75 Ω; amplitude 1 V [p-p]

**General**

Power	DC12V±25%, AC24V±25%, PoE (IEEE802.3 at)
	Power consumption: Max. 13.7W
Dimensions (L × W × H)	305.5 × 104.1 × 97.3mm (12.0" × 4.1" × 3.8")
Weight	1.65 kg (3.6 lb)
Working Environment	-40°C ~ +60°C (-40°F ~ 140°F), Humidity:10%~95% RH(non-condensing)
Ingress Protection	IP67
Reset Button	Supported

## Dimensions



**Zhejiang Uniview Technologies Co., Ltd.**

South Tower, Building 10, Wanlun Science Park, 88 Jiangling Road, Hangzhou, P.R.China 310051

Email: [overseasbusiness@uniview.com](mailto:overseasbusiness@uniview.com); [globalsupport@uniview.com](mailto:globalsupport@uniview.com)

<http://www.uniview.com>

©2016-2018 Zhejiang Uniview Technologies Co., Ltd. All rights reserved.

\*Product specifications and availability are subject to change without notice.